

Equilibria

Inspire your eyes

markennovy



Equilibria is a 3-monthly soft contact lens individually manufactured with GMA- 59, a material best suited for dry eye symptoms thanks to its uniquely formulated water balance. Its high level of comfort makes it ideal for individuals who consistently use computers, tablets, mobile phones, and other electronics with visual displays for prolonged periods of time.



CHARACTERISTICS

More Custom	Individually made for each eye in all designs.
More Comfort	High water content Hydrogel (59%) with a low daily dehydration index (<1%).
Vision Type	Relaxed—all day comfort.

TECHNICAL SPECIFICATIONS

MATERIAL	Hydrogel Filcon II 2 59%		
Dk	24		
HANDLING TINT	Yes		
		Parameter Range	Steps
DIAMETER (mm)	⊙ ⊙ ⊙ ⊙	14.50	
BASE CURVE (mm)	⊙ ⊙ ⊙ ⊙	7.70 to 9.80	0.30
SPHERE (D)	⊙ ⊙ ⊙ ⊙	+30.00 to -30.00	0.25
CYLINDER (D)	⊙ ⊙	-0.75 to -8.00	0.25
AXES (°)	⊙ ⊙	All	5°
ADDITION (D)	⊙ ⊙	+1.00 to +3.00	0.50
MULTIFOCAL - DESIGN	⊙ ⊙	CD - CN	

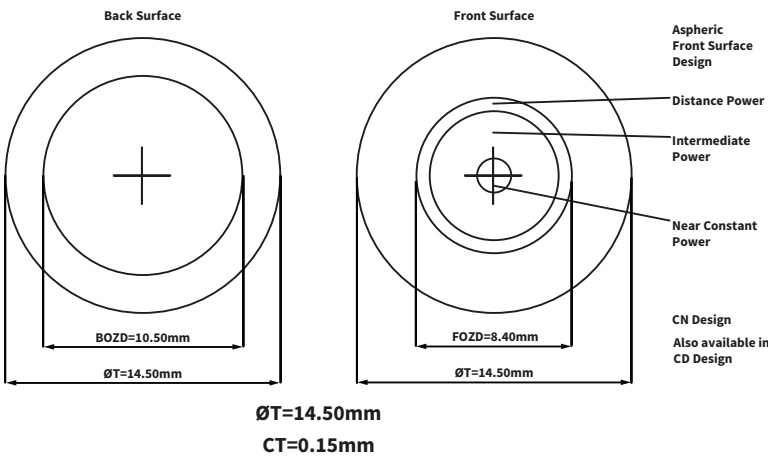
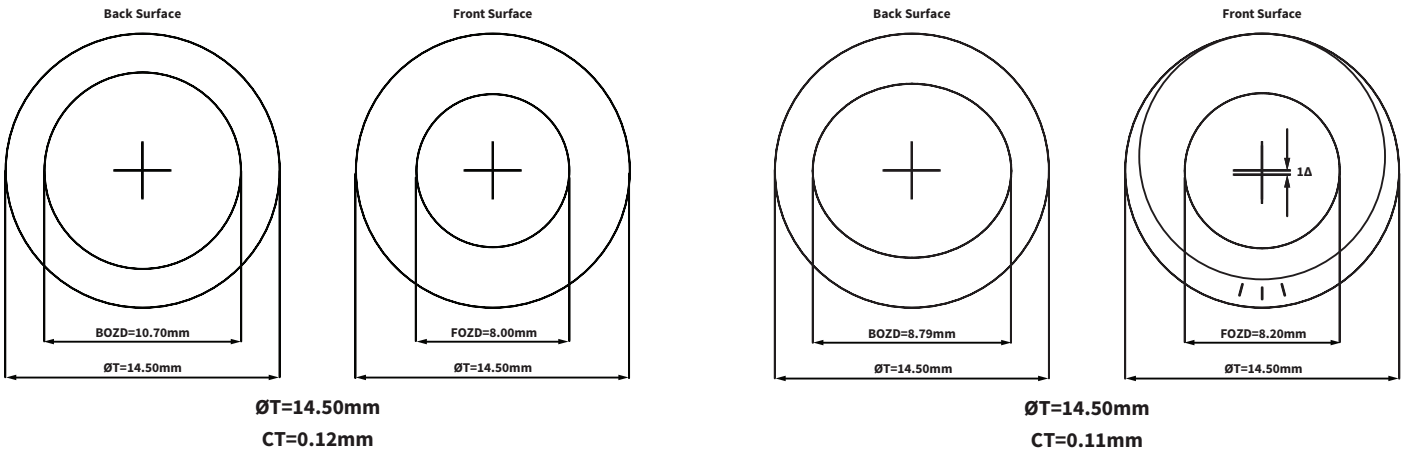
Are you an Eye Care Professional?

Order your contact lenses at www.markennovy.com through **MyEnnovy**, or contact our Customer Service Department to begin working together.

Inspire your eyes

markennovy

EQUILIBRIA LENS DESIGN

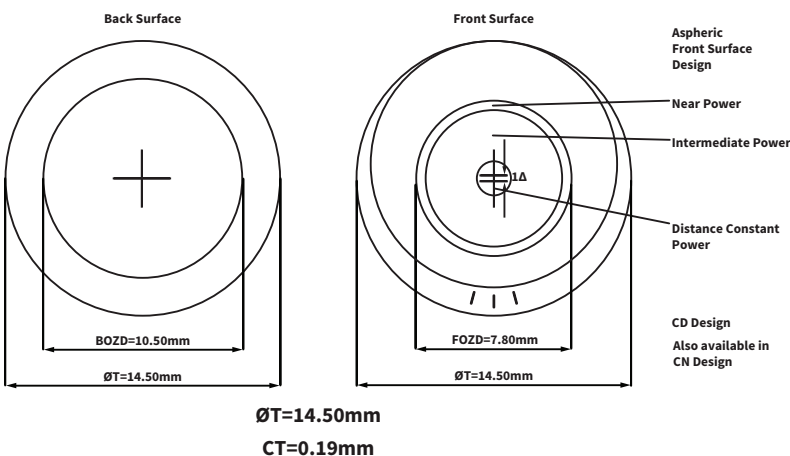


Lens design parameters may change depending on the power

- *Based on Sph -3.00
- **Based on Sph -3.00 Cyl -1.25
- ***Based on Sph -3.00 Add 1.00
- ****Based on Sph -3.00 Cyl -1.25 Add 1.00

MULTIFOCAL & MULTIFOCAL TORIC

CD & CN	
Myopia - Low Hypermetropy	
Dominant Eye	Non-Dominant Eye
CD: Centre Distance	CN: Centre Near
Hypermetropy > +0.75D	
Dominant Eye	Non-Dominant Eye
CN Design for Both Eyes	



Customer Service:
T. 0800 328 0610 F. 0800 328 0649
International Phone:
T. +34 916 496 123
E. mkservices@markennovy.com

+Information
www.markennovy.com

Inspire your eyes

markennovy